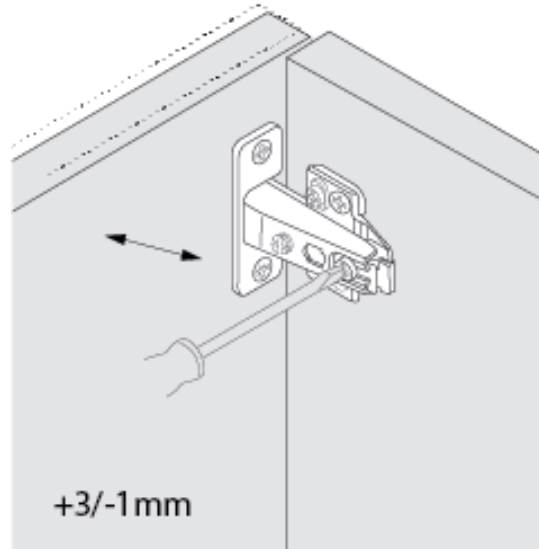
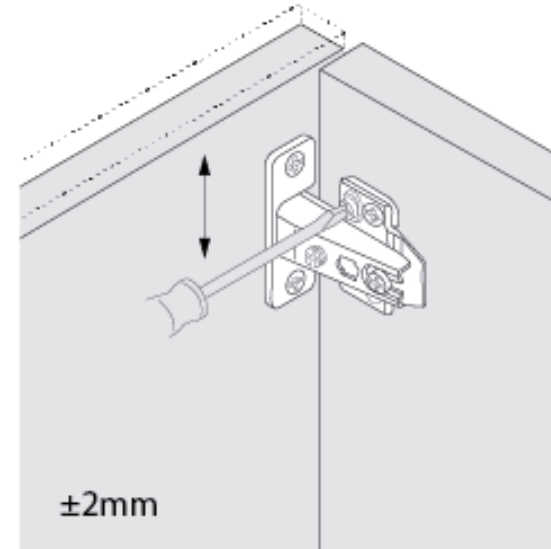


Side adjustment



Depth adjustment



Height adjustment

Please use the above instructions when you are altering the position of your doors on your TRENZSEATER cabinet.

Please note that if your doors appear out of position when you receive your cabinet, this is not a fault it is simply due to the surface being uneven, on a different level when it was assembled, and these adjustments above are designed to correct this.

If you have any questions please contact TRENZSEATER.