



Discover a variety of options on [RalphLauren.com/Home](https://www.RalphLauren.com/Home)

# Carthage Table Lamp

**Polished Nickel**

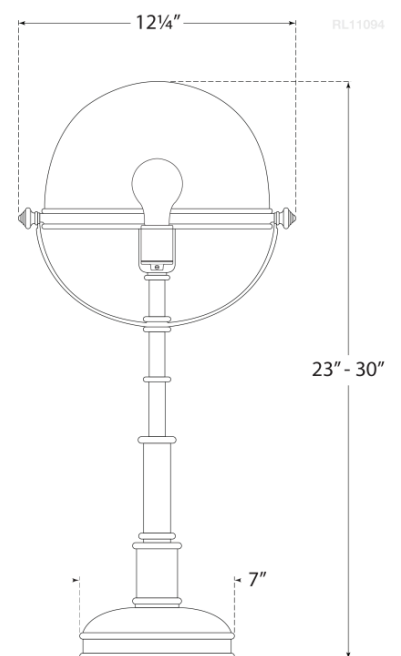
- Socket: E26 3-Way
- Wattage: 100 A19
- Weight: 14 Pounds
- Min. Custom Height: 23"



## Measurements

**RL11094PN**

12.25"W x 30"H x 7" Round Base | 31.1W x 76.2H x 17.7 CM



**RALPH LAUREN**