

BERT | FRANK

CASK TABLE LAMP

Specification Sheet

Description:

The timeless look of the Cask Table Lamp is enhanced by hand-finished brass. Twin arms and symmetrical cask shades make this industrial-inspired design an eye-catching yet practical task light.

Lamps:

- 2 x 4W G9 LED

Voltage:

- UK/EU - 230V
- US - 110V

Metal Finish:

- Brass lacquered as standard

Weight:

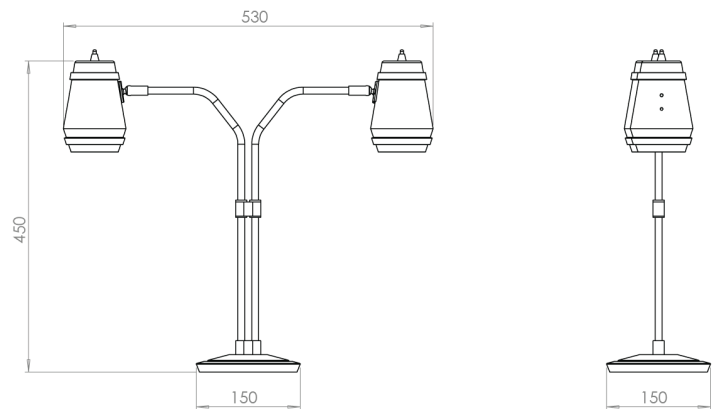
- 5 kg

Flex:

- Supplied with 2m fabric covered flex as standard
- Longer flex available on request

Switch:

- On shade



CE

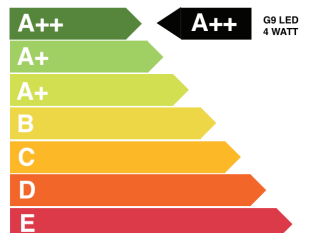


BERT | FRANK

CASK
Wall Light / Table
Lamp / Pendant



This luminaire is compatible with bulbs of the energy classes:



874/2012

