

BERT | FRANK

SPATE TABLE LAMP

Specification Sheet

Description:

The Spate Table lamp delivers opulence and comfort with a nod to Art Deco styling. A warming radiance is emitted through the soft touch stepped opal shade. The satin brass and marble highlights offer the luxury feel that completes this piece.

Light Source:

- LED ribbon 15.6W 24V 2700K
- 24V - 30W LED constant voltage driver

Voltage:

- UK/EU - 230V
- US - 110V

Material Finish:

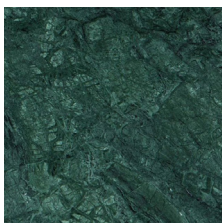
- Brass lacquered as standard
- Green Guatemalan or Carrara White

Weight:

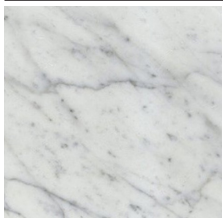
- 4.2kg

Flex Options:

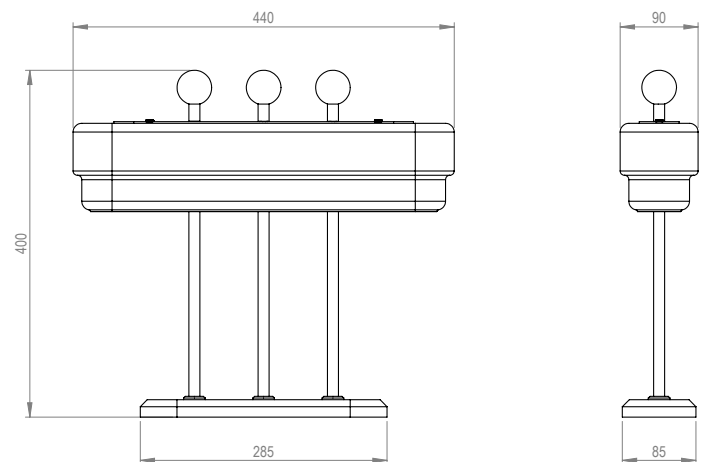
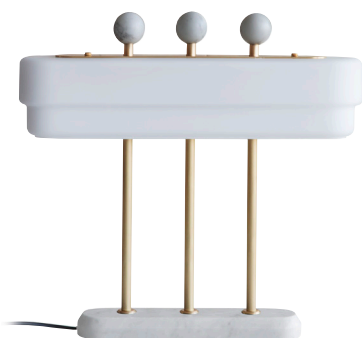
- 2m supplied as standard
- Switch on flex



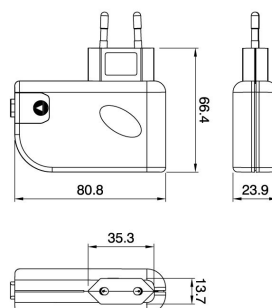
Green Guatemala




White Carrara



Driver Dimension



Bert | Frank SPP/SPTL/SPWL

 This luminaire contains built-in LED lamps.

A++
A+
A
B
C
D
E

LED

The lamps in this luminaire can be changed with custom LED from manufacturer

874/2012 