

# BERT | FRANK

## REVOLVE TABLE LAMP

### Specification Sheet

#### Description:

Offering a soft down light as well as top finial highlights, the Revolve Table Lamp makes a striking accent piece. A brass pull chain switch hangs over a solid brass base which features an inset colour ring.

#### Lamps:

- 3 x 4W G9 LED

#### Voltage:

- UK/EU - 230V  
- US - 110V

#### Metal Finish:

- Brass lacquered as standard

#### Colour Finish:

- Black, White and Petrol Blue  
- Special colours and finishes available on request

#### Weight:

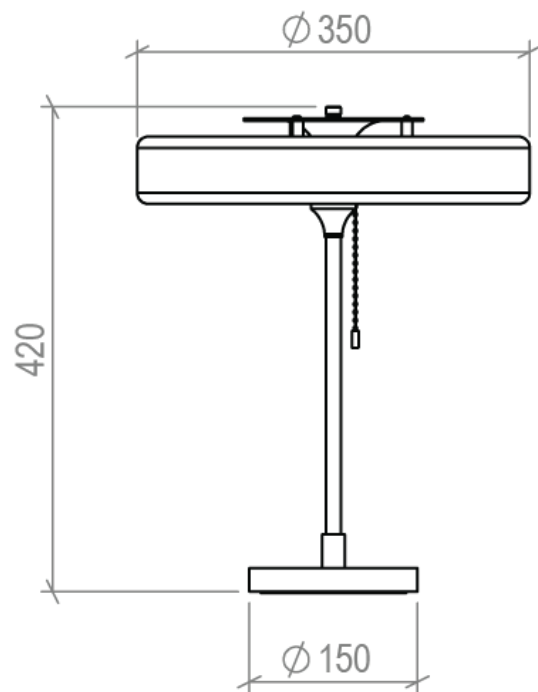
- 5.3 kg

#### Flex:

- Supplied with 2m fabric covered flex as standard  
- Longer flex available on request

#### Switch:

- Pull switch under shade



CE

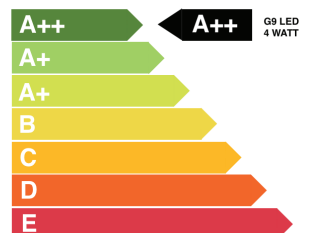


BERT | FRANK

REVOLVE  
Floor Light / Wall Light /  
Pendant / Rise & Fall /  
Table Light



This luminaire is compatible with bulbs of the energy classes:



874/2012

