

# BERT | FRANK

## RIDDLE TABLE LAMP - DOUBLE

### Specification Sheet

#### Description:

Two articulated shades with fabric inserts make the Riddle Table Lamp the ideal light for a desk or side table. Both arms rotate to 270 degrees while a toggle switch at the base lends functional ease.

#### Lamps:

- 2 x 4W G9 LED

#### Voltage:

- UK/EU - 230V  
- US - 110V

#### Metal Finish Options:

- Brass and Chrome  
- Brass lacquered as standard

#### Colour Finish:

- Black or White

#### Weight:

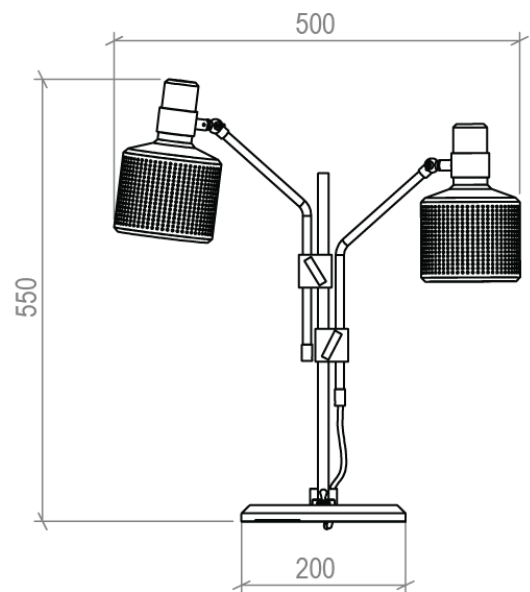
- 8 kg

#### Flex:

- Supplied with 2m fabric covered flex as standard  
- Longer flex available on request

#### Switch:

- Toggle switch on base

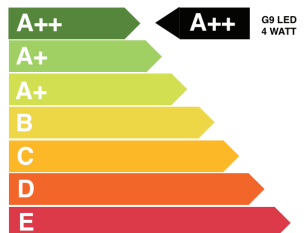


BERT | FRANK

RIDDLE  
Floor Light - Double &  
Single / Wall Light -  
Double & Single / Pendant  
/ Table Light



This luminaire is compatible with bulbs of the energy classes:



A+++

G9 LED

4 WATT

874/2012

