

BERT | FRANK

SHEAR TABLE LAMP

Specification Sheet

Description:

Crafted from brass and turned steel, the Shear Table Lamp draws inspiration from the 1930's for a timeless look. A brushed finish on the inner shade produces a soft, warm light making it the perfect task lamp.

Lamps:

- 1 x 4W G9 LED

Voltage:

- UK/EU - 230V
- US - 110V

Metal Finish Options:

- Brass and Chrome
- Brass lacquered as standard

Colour Finish:

- Black or White

Weight:

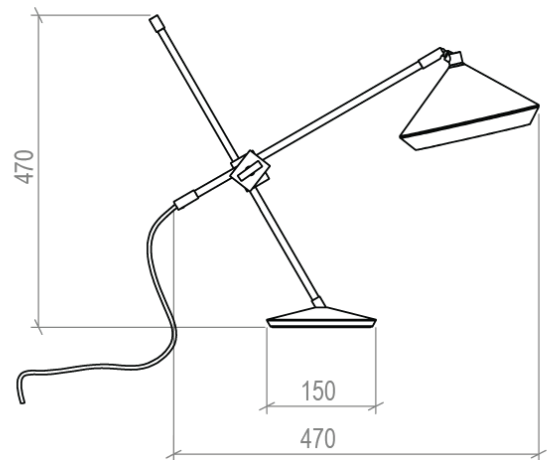
- 3.25 kg

Flex:

- Supplied with 2m fabric covered flex as standard
- Longer flex available on request

Switch:

- Inline switch in flex



CE

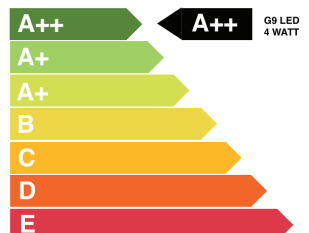


BERT | FRANK

SHEAR
Pendant / Table Light /
Wall Light / Floor Light



This luminaire is compatible with bulbs of the energy classes:



874/2012

