

# BERT | FRANK

## STASIS WALL LIGHT

### Specification Sheet

#### Description:

Form meets function in the striking Stasis Wall Light. A mix of metals, this eye-catching design features a solid brass back plate with a copper insert and adjustable arm and copper shade.

#### Lamps:

- 1 x 4W G9 LED
- Ensure dimmable LED is used if this functionality is needed

#### Voltage:

- UK/EU - 230V
- US - 110V

#### Metal Finish Options:

- Brass & Satin Copper
- Brass & Polished Copper
- Brass & Bronze
- Brass and Copper lacquered as standard

#### Weight:

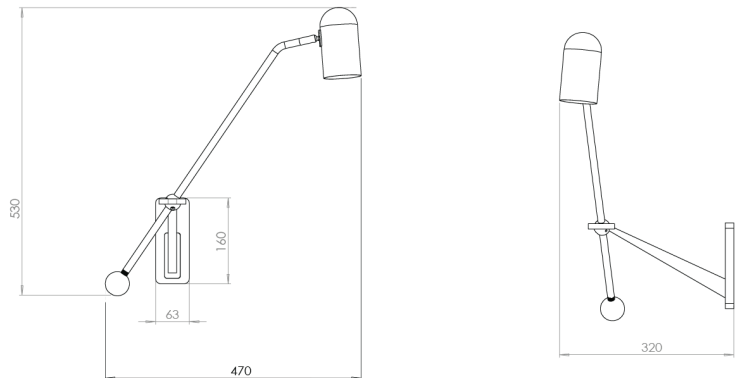
-

#### Flex:

- Non hardwired version available on request

#### Switch:

- Toggle switch on shade



CE

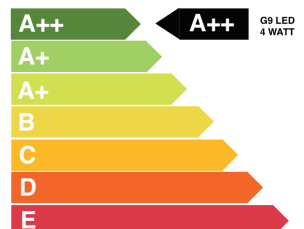


BERT | FRANK

STASIS  
Wall Light / Table Light



This luminaire is compatible with bulbs of the energy classes:



874/2012

